

E-Vision 7500 WXGA 3D

7,500 ANSI Lumens | Contrast Ratio: 2,400:1 (Dynamic Black) 1,000:1 native | Part No:114-306

E-Vision 7500 Series Digital Projectors

DIGITAL  **PROJECTION****Colour System:**

6 Segment RYGCWB Colour Wheel for maximum brightness.
6 Segment RGBCMY Colour Wheel for optimised colourimetry - user swappable.

DMD Specification:

1280 x 800 pixels native, +/- 12° tilt angle
Fast transit pixels for smooth greyscale and improved contrast.

Display Type:

1 x 0.65" DarkChip™ DMD™

Aspect Ratio:

16x10

Fill Factor

87%

Key Features

Video & Graphics Processing

- HDMI 1.4 for Side by Side, Frame Packing & Top Bottom Formats.
- Dual Flash Processing can be used to multiply the displayed frame rate for 3D sources (example 144Hz display).
- BrilliantColor™ for increased system brightness.
- DynamicBlack™ for improved black levels in dark scenes.
- High Bandwidth Digital & Analog Receiver with 10 Bit A-D.
- Independent control of hue, saturation and gain for primary and secondary colours.
- The projector automatically detects interlaced video and implements 3:2 or 2:2 extraction as appropriate, with pixel based, motion adaptive interpolation and auto cadence correction.
- 24p display.

Geometry Correction

- Vertical keystone correction.

HDBaseT® Interface

- Built in support for transmission of uncompressed High Definition Video over standard CAT5e/6 LAN cable.
- Allows projector to be placed up to 100m from source.

Source Compatibility:

HDMI including Deep Color™ processing and 3D standards.

Graphics standards up to 1920 x 1200 resolution at 60Hz via DVI, HDMI, DisplayPort or VGA.

DVI single link with HDCP compliance.

Component Video (SD and HD) via YPrPb, RGBHV, RGB or RGBS.

Inputs/Outputs

Video & Computer			Communication & Control		
Type	Connector	Qty	Type	Connector	Qty
HDMI 1.4	HDMI	1	3D Sync Out	VESA 3-pin	1
DVI-D - Single Link DVI	DVI	1	LAN	RJ45	1
DisplayPort 1.2	DisplayPort	1	RS232	9-pin D Sub	1
HDBaseT	RJ45	1	Wired Remote	3.5mm Stereo Jack	1
VGA / Analog RGB In	15-pin D-Sub	1	12V Trigger	3.5mm Stereo Jack	1
VGA / Analog RGB Out	15-pin D-Sub	1	Service Port	USB Type A	1
Component Video	5 x BNC	1			

3D Formats Supported	HDTV Formats Supported
Frame Packing Side By Side (half) Top and Bottom Frame Sequential	1080p (24Hz, 25Hz, 30Hz, 50Hz, 60Hz), 1080i (50Hz, 60Hz), 720p (50, 60Hz)

Computer Compatibility	Bandwidth
Up to 1920 x 1200	165 MHz on analog RGB 165 Megapixels per second on HDMI and DVI

Remote Control	Automation Control
Addressable IR remote control, wireless and wired. On-Board keypad	RS232 LAN

Colour Temperature
User selectable from 5000 to 9300K

Lamp Type	Typical Lamp Life
2 x 350W High Intensity Discharge	Full Power: 2000 hours (up to 4000 hours in lamp sequential mode) Eco Mode : 2500 hours (up to 5000 hours in lamp sequential mode)

Lenses			
Lens	Part No.	Focus Range	Lens Shift
0.8 :1 fixed	112-499	0.81m - 5.08m	none
1.31 - 1.88 :1 zoom	112-500	1.33m - 11.73m	Vert: 0.5 (U) 0 (D) frame, Hor: 0.1(L) 0.1 (R) frame
1.8 - 2.38 :1 zoom	112-501	1.83m - 14.9m	Vert: 0.5 (U) 0 (D) frame, Hor: 0.1(L) 0.1 (R) frame
2.32 - 3.89 :1 zoom	112-502	2.36m - 24.2m	Vert: 0.5 (U) 0 (D) frame, Hor: 0.1(L) 0.1 (R) frame
3.74 - 5.67 :1 zoom	112-503	3.8m - 35.35m	Vert: 0.5 (U) 0 (D) frame, Hor: 0.1(L) 0.1 (R) frame
5.53 - 8.74 :1 zoom	112-504	5.59m - 54.8m	Vert: 0.5 (U) 0 (D) frame, Hor: 0.1(L) 0.1 (R) frame

Lens Mount
Motorised and programmable shift, zoom and focus. Intelligent Lens Memory with 10 user-definable preset positions.

Mechanical Mounting	Orientation
Front/Rear Table Front/Rear Ceiling Adjustable Front/Rear Feet	Table Top or Inverted: Yes Pointing Up: Yes Pointing Down: Yes Roll (Portrait): +/-10° from horizontal

Power Requirements	Power Consumption
100-240VAC 50/60Hz single phase	880 W

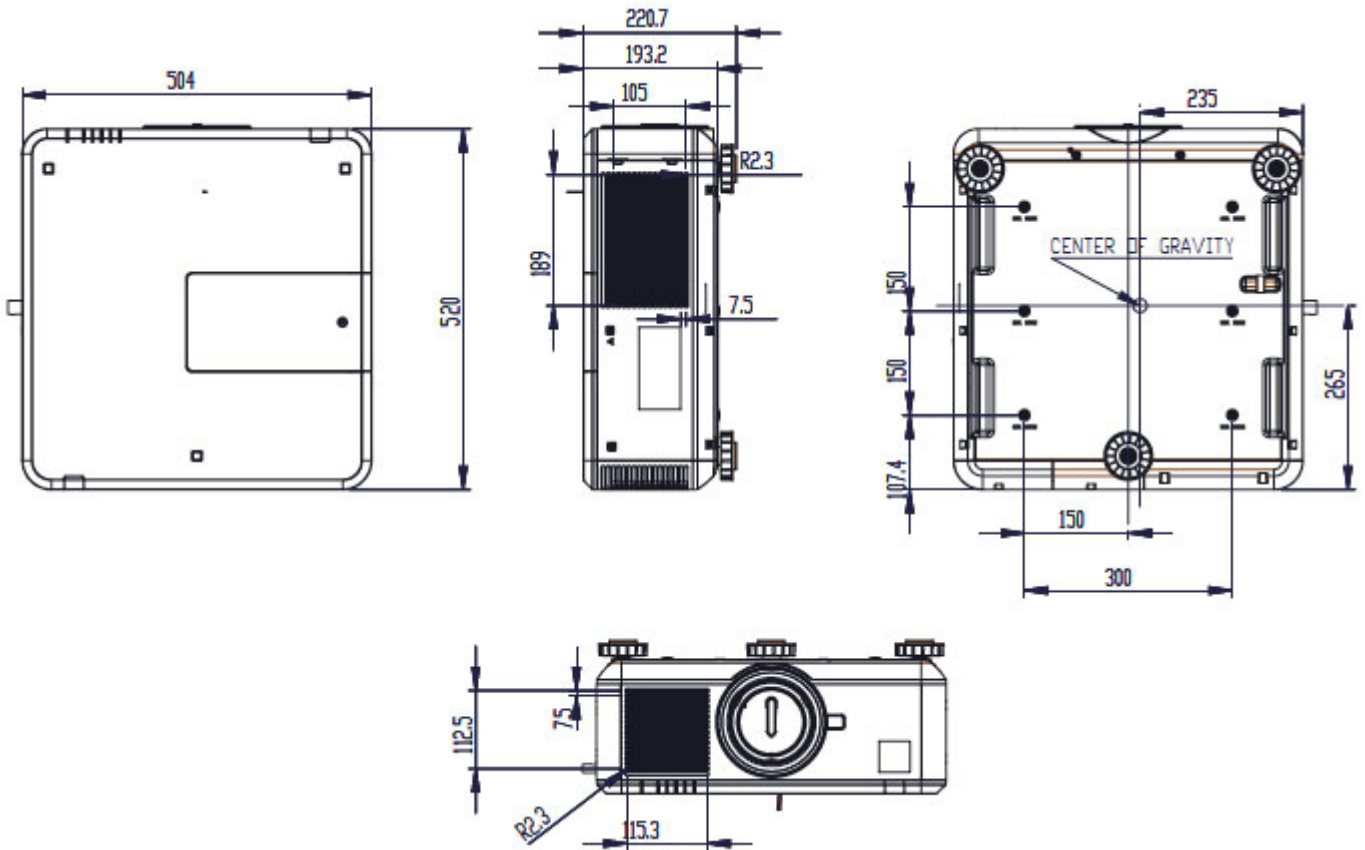
Thermal Dissipation	Fan Noise
3003 BTU/Hour	41 dBA, Eco 36 dBA

Operating/Storage Temperature	Operating Humidity
Operating: 0 to 40C (32 to 104F) Storage: -5 to 45C (23 to 113F)	10 to 95% non-condensing

Weight (Chassis Only)	Dimensions
20 kg 44.1 lb	L: 52.0 cm W: 50.4 cm H: 19.7 cm L: 20.5 in W:19.8 in H: 7.8 in

Safety & EMC Regulations

CE, FCC Class B, UL, CCC



**Dimensions included for reference only and are subject to change. Please download the full set of CAD files for this display for more accurate information.*

Downloads

[PDF CAD Drawings](#)

[User Guides](#)

[AUTOCAD Drawings](#)

[Important Information](#)

Specifications subject to change without notice. Digital Projection version: 1.2 - 20-Jun-13 ©2012 Digital Projection. DLP®, Digital Light Processing™ and DMD are trademarks of Texas Instruments, Inc

DIGITAL PROJECTION, LTD GREENSIDE WAY, MIDDLETON MANCHESTER, UK. M24 1XX
T: +44.161.947.3300 | F: +44.161.684.7674 | www.digitalprojection.co.uk

DIGITAL PROJECTION, INC 55 CHASTAIN ROAD, SUITE 115 KENNESAW, GA. 30144
T: 770.420.1350 | F: 770.420.1360 | www.digitalprojection.com

DIGITAL PROJECTION, CHINA TOWER C, RM C1202, CAI FU JIA YUAN, NO. 19 XIAO YING STREET, CHAOYANG DISTRICT BEIJING, PR CHINA 100101
T: +86.10.58239771 | F: +86 10 58239770

DIGITAL PROJECTION, ASIA 16 NEW INDUSTRIAL ROAD, #02-10 HUDSON TECHNOCENTRE SINGAPORE 536204
T: +65.6284.1138 | F: +65.6284.1238